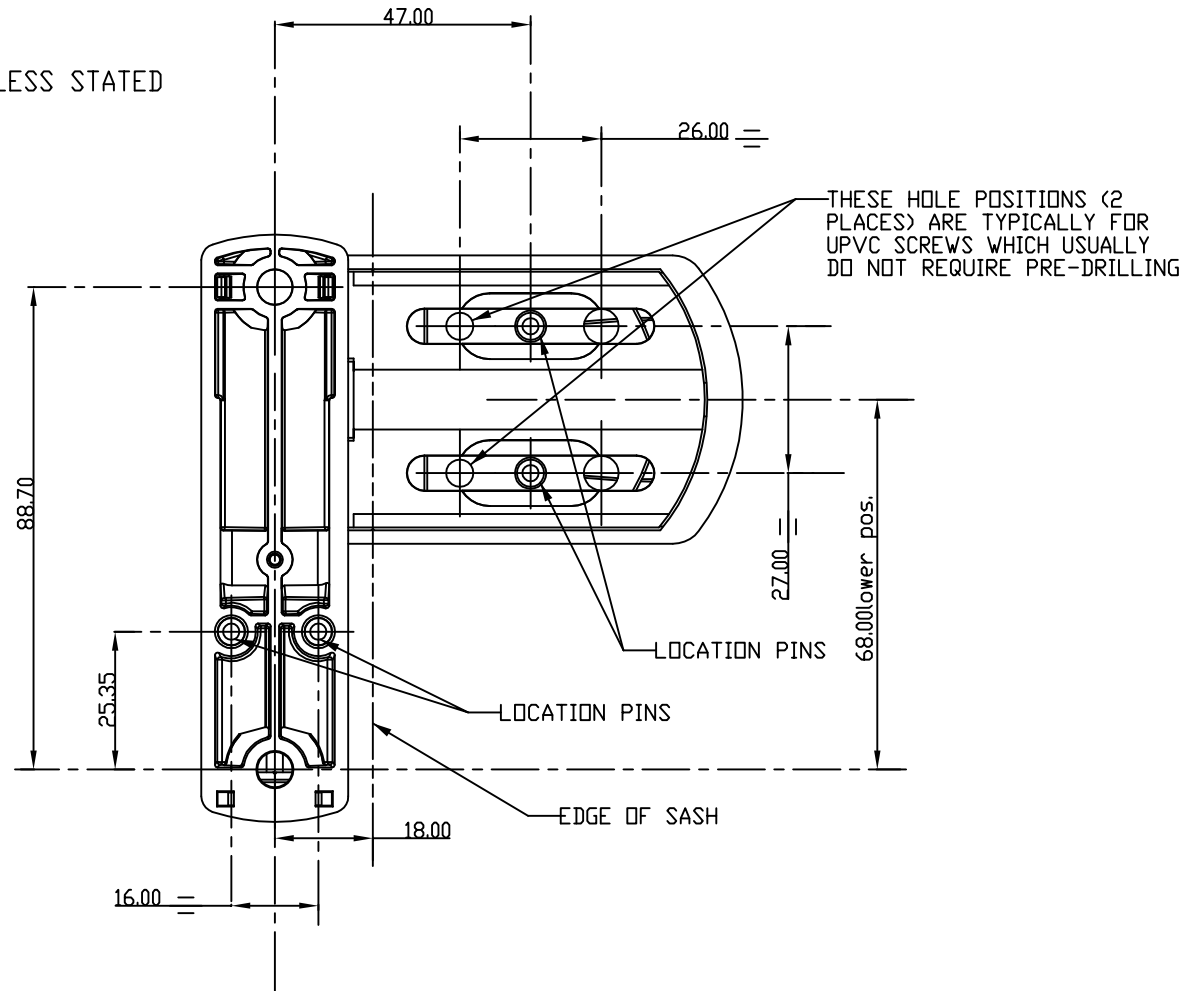


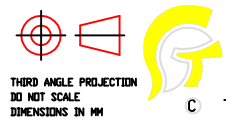
NOTES:

DRILL ϕ FOR ALL HOLE POSITIONS 5.0mm UNLESS STATED



0740 PATRIOT HINGE
STANDARD THROW (NOMINAL POSITION)
FOR PROGRAMMING MACHINE CENTRES

FINISH	N/A
MATERIAL	N/A
VOLUME	SCALE 1.000
CC	



This drawing/document is COPYRIGHT and the property of Trojan Hardware & Design Ltd. It must not be copied (in whole or in part) used for manufacture or otherwise disclosed without prior written consent of the company

© Trojan Hardware & Design Ltd. 1998

STOCK CODE	
DRAWING NUMBER	0740-PATRIOT-HOLE-CENTRES
PROJECT No. DRAWING REF. ISSUE	

FIRST DRAWN	O1	KD	TJD	05-03-09
CHANGE DETAILS	ISS.	DR'N	CH'D	DATE
TITLE	0740-FLAG-HINGE			A3