

0740 Patriot High Security and 0780 Patriot Midi Flag Hinges

Fitting Instructions



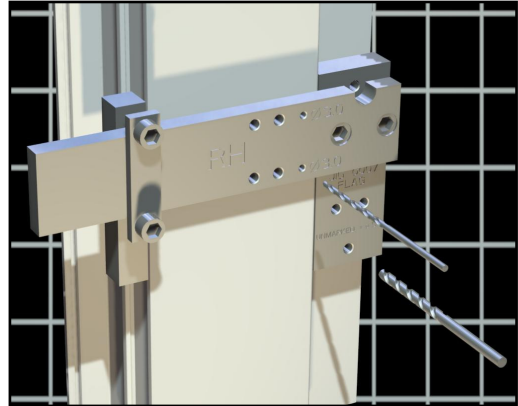
1 – PRE DRILL

MIDI

- For Midi hinge use JIG-0014
- Requires $\varnothing 4$ mm and $\varnothing 3$ mm drill bit
- Shim (JIG-0015) is available to increase step height if required
- Jig reversible for right or left hand
- Jig adjustable for Normal and Long Throw Position

HIGH SECURITY

- For Midi hinge use JIG-0014
- Requires $\varnothing 4$ mm and $\varnothing 3$ mm drill bit
- Shim (JIG-0015) is available to increase step height if required
- Jig reversible for right or left hand
- Jig adjustable for Normal and Long Throw Position



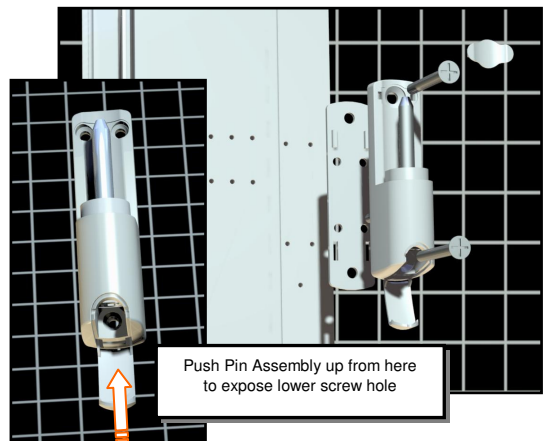
2 – FIT FRAME PLATE

MIDI

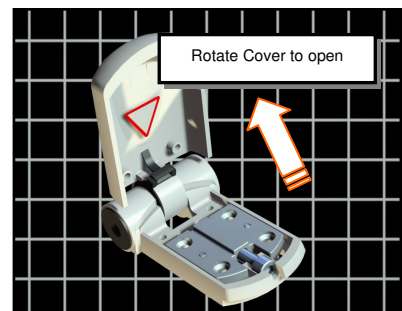
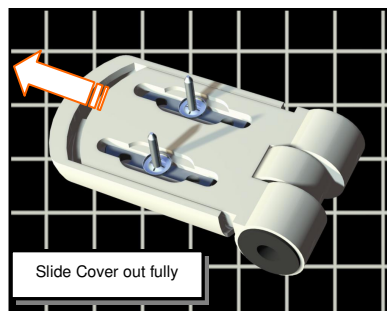
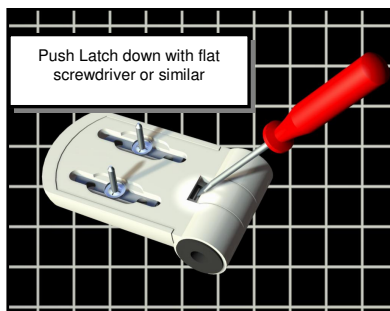
- Fit shim (0780-016 Black or White) if required
- Rotate screw cover clear of bottom screw position
- Remove pin assembly to expose lower and mid screw positions
- Insert screws, 1 upper, 1 middle and 1 lower
- Replace pin assembly

HIGH SECURITY

- Fit shim (0740-022 Black or White) if required
- Rotate screw cover clear of bottom screw position
- Move pin assembly up to expose lower screw position
- Insert $\varnothing 6.25$ mm screws provided 1 upper and 1 lower
- Push fit screw cover over upper screws



3 – OPEN FLAG ASSEMBLY



4 – FIT FLAG

MIDI

- Push Flag assembly onto Pin and push Cap into top of Flag
- Insert screws (4 Positions) into screw plate
- Note that the 2 holes nearest the Frame Plate may not reach reinforcement
- Do not fully tighten screws until hinge is fully adjusted

Note: Do not fully tighten screws until hinge is fully adjusted

HIGH SECURITY

- Push Flag assembly onto Pin and push Cap into top of Flag
- Insert $\varnothing 6.25\text{mm}$ screws provided, into the 2 large holes furthest from the Frame Plate
- Insert screws (2 Positions) into remaining
- Do not fully tighten screws until hinge is fully adjusted

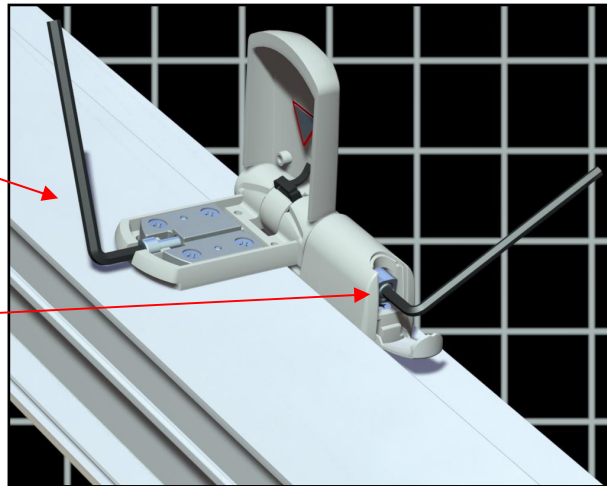


5 – ADJUSTMENT

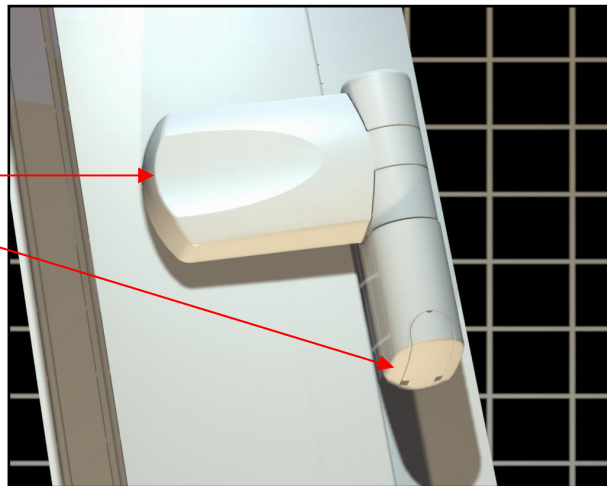
For lateral adjustment use 5mm A/F Alan Key

Note: Ensure screws are slack before adjusting hinge

For height and compression adjustment use 4mm A/F Alan Key



Finally close covers until snapped fully shut



Nominal Step Heights and Shims:

Low hinge - 0740-2004 = 11.75mm

High hinge - 0740-2005 = 19.25mm

Low shim - 0740-022 = 2.5mm (in black or white)

High shim - 0740-025 = 7.5mm (in black or white)

Maximum Weight Carrying Capacity:

0740 - HS 2 Hinges 80kg – 3 Hinges 120kg

0780 - MIDI 3 Hinges 100kg

Adjustment:

Height: (from lowest position) = plus 7.0mm

Compression: (from mid point) +/- 1.75mm

Lateral:

- Normal throw +/- 5.5mm

- Long throw = 2.5mm out and 8.5mm in